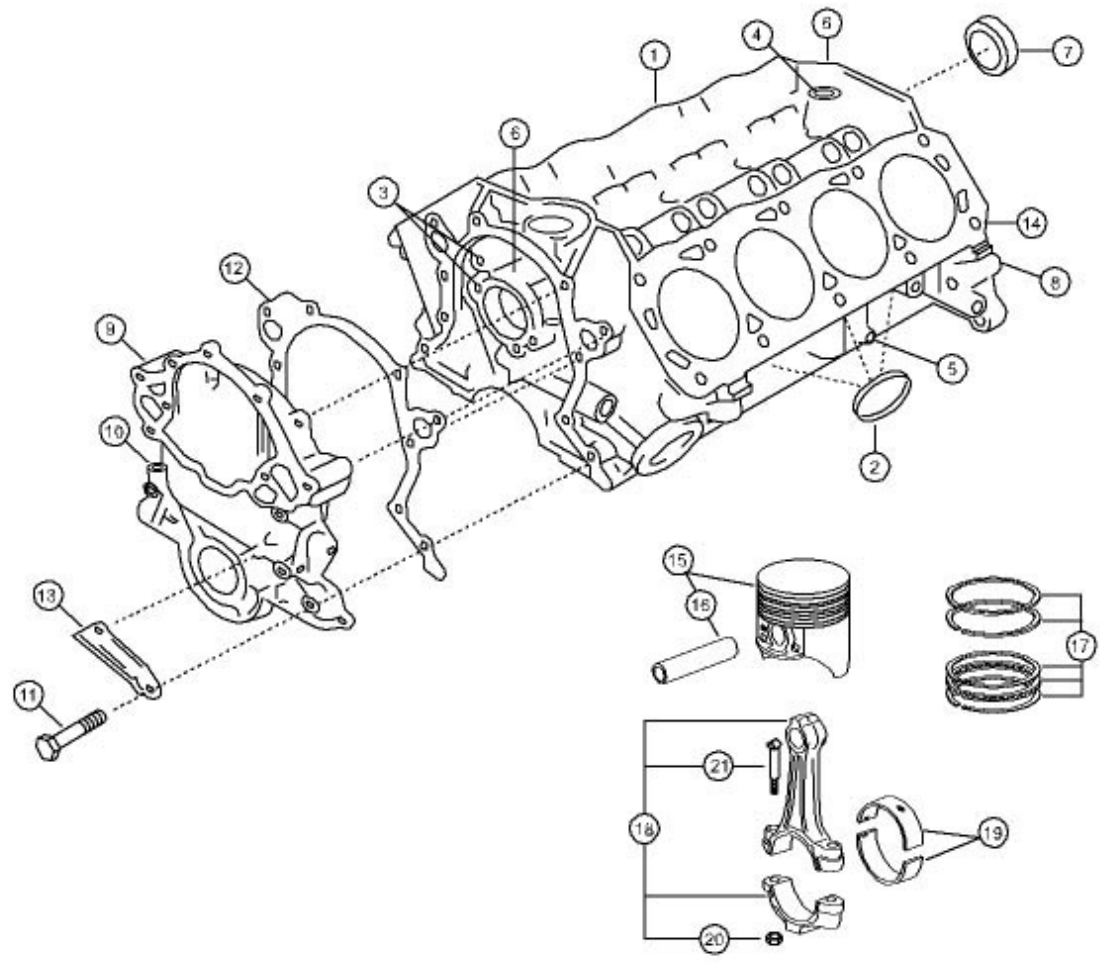


FORD - Cyl Block and Related Parts

Ref	Description	Qty	All 302	Qty	351	Qty	351-HP
1	BLOCK ASSEMBLY	1	59-4046	1	59-4047	1	59-4047
2	PLUG - 1½ CUP - BRASS	6	59-4048	6	59-4048	6	59-4048
3	PLUG - OIL PASSAGE ½ CUP	A/R	59-4049	A/R	59-4049	A/R	59-4049
4	PLUG - REAR HOLE - ¾ CUP	1	59-4050	1	59-4050	1	59-4050
5	PLUG - WATER DRAIN ¼ NPT - BRASS	2	59-4051	2	59-4051	2	59-4051
6	PLUG - OIL PASSAGE IN BLOCK ¼ PIPE	A/R	59-4052	A/R	59-4052	A/R	59-4052
7	PLUG - CAMSHAFT REAR BEARING	1	59-4053	1	59-4053	1	59-4053
8	DOWEL - FLYWHEEL HOUSING	2	59-4054	2	59-4054	2	59-4054
9	COVER ASSEMBLY	1	59-4055	1	59-4055	1	59-4055
10	PLUG - OIL LEVEL INDICATOR ½ CUP	A/R	59-4049	A/R	59-4049	A/R	59-4049
11	BOLT 5/16-18x2	A/R	56-5115	A/R	56-5115	A/R	56-5115
12	GASKET - FRONT COVER	1	59-4009	1	59-4009	1	59-4009
13	POINTER ENG. TIMING	1	59-4056	1	59-4056	1	59-4056
14	DOWEL - CYL. HEAD TO BLOCK	4	59-4057	4	59-4057	4	59-4057
15	PISTON & FITTED PIN	8	59-4058	8	59-4011	8	59-4203
16	PIN	8	59-4059	8	59-4059	8	59-4059
17	RINGS, PISTON (2 PISTONS)	4	59-4060	4	59-4060	4	59-4060
18	CONNECTING ROD ASSEMBLY	8	59-4061	8	59-4012	8	59-4012
19	BEARING (UPPER & LOWER)	8	59-4062	8	59-4063	8	59-4063
20	NUT	16	59-4064	16	59-4065	16	59-4065
21	BOLT	16	59-4066	16	59-4067	16	59-4067

FORD Cylinder Block and Related Parts



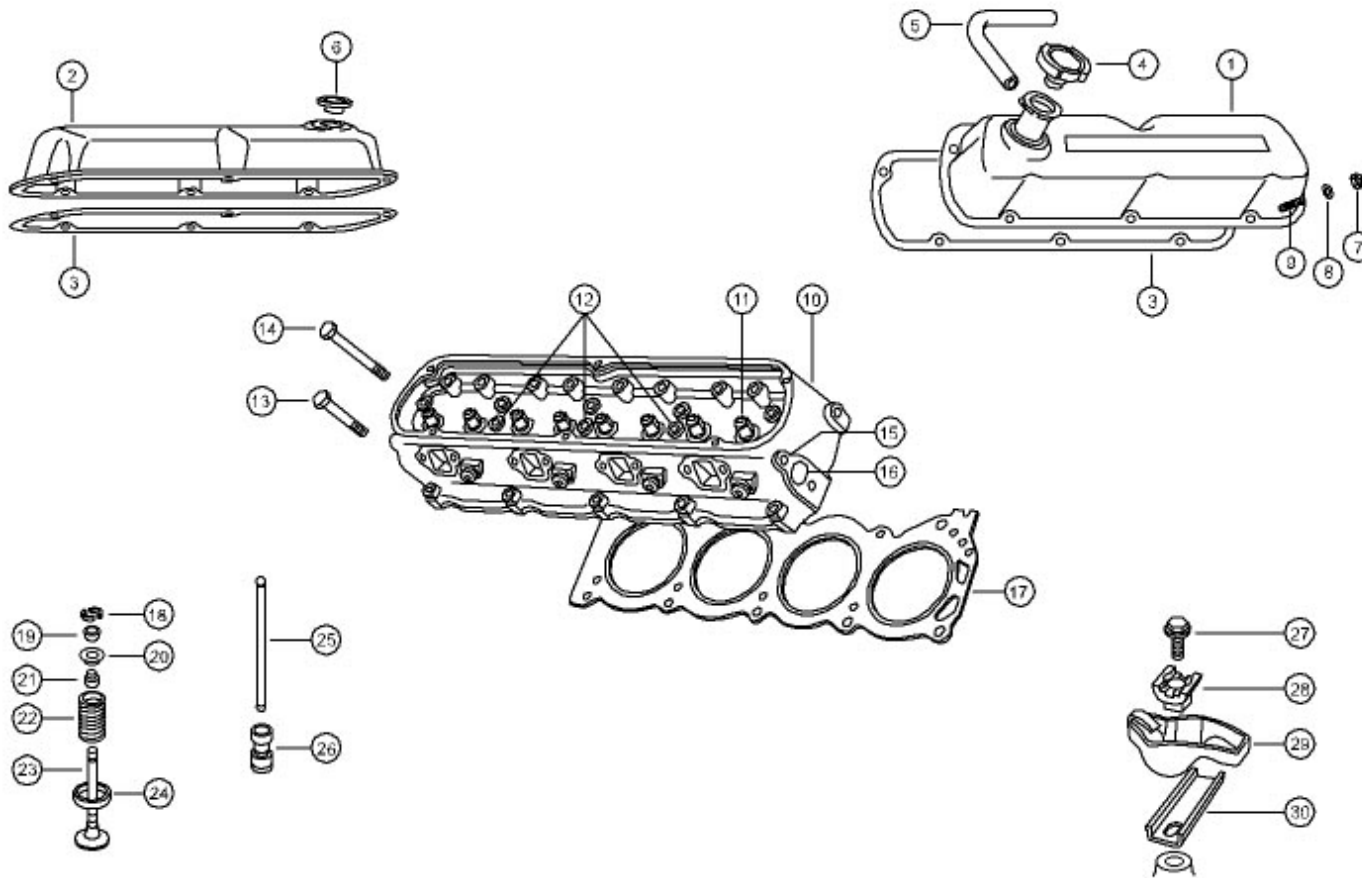
FORD - Cam, Crank and Related

Ref	Description	Qty	302-2	Qty	302-4	Qty	351	Qty	351 HP
1	CAMSHAFT STD ROT	1	59-4068	1	59-4069	1	59-2046	1	59-4173
1A	CAMSHAFT OP ROT	1	59-4070	1	59-4071	1	59-4072		
2	BEARING KIT	1	59-4073	1	59-4073	1	59-4073	1	59-4073
3	SPROCKET - DOUBLE, CAMSHAFT	1	59-4074	1	59-4074	1	59-4074	1	59-4074
4	DOWEL, PIN	1	59-4075	1	59-4075	1	59-4075	1	59-4075
5	PLUG - REAR BEARING	1	59-4076	1	59-4076	1	59-4076	1	59-4076
6	CHAIN-TIMING, DOUBLE LINK	1	59-4077	1	59-4077	1	59-4077	1	59-4077
7	PLATE - THRUST	1	59-4078	1	59-4078	1	59-4078	1	59-4078
8	BOLT 1/4 - 20 x 5/8	2	59-4079	2	59-4079	2	59-4079	2	59-4079
9	ECCENTRIC - DUAL FUEL PUMP DRIVE	1	59-4007	1	59-4007	1	59-4007	1	59-4007
10	WASHER - .406 x 1.20 x .224	1	59-4080	1	59-4080	1	59-4080	1	59-4080
11	BOLT-3/8-16x1.50	1	59-4081	1	59-4081	1	59-4081	1	59-4081
12	CRANKSHAFT ASSEMBLY - STD ROT	1	59-4082	1	59-4082	1	59-4017	1	59-4017
12A	CRANKSHAFT ASSEMBLY - OP ROT	1	59-4083	1	59-4083	1	59-4084	1	59-4084
13	SPROCKET	1	59-4085	1	59-4085	1	59-4085	1	59-4085
14	KEY	1	59-4086	1	59-4086	1	59-4086	1	59-4086
15	SLINGER	1	59-4087	1	59-4087	1	59-4087	1	59-4087
16	DAMPER - STD ROT	1	59-4088	1	59-4088	1	59-4016	1	59-4016
16A	DAMPER-OP ROT	1	59-4089	1	59-4089	1	59-4018	1	59-4018
17	WASHER	1	59-4090	1	59-4090	1	59-4090	1	59-4090
18	BOLT	1	59-4091	1	59-4091	1	59-4091	1	59-4091
19	MAIN BEARING - UPPER	4	59-4092	4	59-4092	4	59-4096	4	59-4096
19A	MAIN BEARING - LOWER	4	59-4093	4	59-4093	4	59-4097	4	59-4097
20	MAIN BEARING - CENTER UPPER	1	59-4094	1	59-4094	1	59-4098	1	59-4098
20A	BEARING - MAIN, CENTER, LOWER	1	59-4095	1	59-4095	1	59-4099	1	59-4099
21	PLATE, REAR	1	59-4100	1	59-4100	1	59-4100	1	59-4100
22	FLYWHEEL	1	59-4101	1	59-4101	1	59-2023	1	59-2023
23	BOLT, FLYWHEEL	6	59-4102	6	59-4102	6	59-4102	6	59-4102
24	FRONT OIL SEAL - STD ROT	1	59-2050	1	59-2050	1	59-2050	1	59-2050
24A	FRONT OIL SEAL-OP ROT	1	59-4103	1	59-4103	1	59-4103	1	59-4103
25	REAR SEAL - STD ROT	1	59-4104	1	59-4104	1	59-2044	1	59-2044
25A	REAR SEAL - OP ROT	1	59-4105	1	59-4105	1	59-4106	1	59-4106
26	DRIVE PLATE	1	88-5015	1	88-5015	1	88-5015	1	88-5015
27	SHOULDER BOLT - 5/16 - 18 x 3/4	6	56-5943	6	56-5943	6	56-5943	6	56-5943

FORD - Cylinder Head and Related

Ref	Description	Qty	All 302	Qty	351	Qty	351-HP
1	VALVE COVER - LH STAMPED STEEL	1	59-2062	1	59-2062	1	59-2062
1A	VALVE COVER - LH CHROME PLATED	1	61-2002	1	61-2002	1	61-2002
2	VALVE COVER - RH STAMPED STEEL	1	59-2063	1	59-2063	1	59-2063
2A	VALVE COVER-RH CHROME PLATED	1	61-2000	1	61-2000	1	61-2000
3	GASKET 302, 351 - VALVE COVER	2	59-2028	2	59-2028	2	59-2028
4	CAP, OIL FILLER	1	59-2005	1	59-2005	1	59-2005
5	HOSE - EMISSION 5/8 X 11 1/2	1	98-2010	1	98-2010	1	98-2010.
6	GROMMET, PCV	1	61-2007	1	61-2007	1	61-2007
7	NUT-¼	12	56-5041	12	56-5041	12	56-5041
8	WASHER - ¼ SAE	12	56-5030	12	56-5030	12	56-5030
9	STUD - ¼ - 20 DOUBLE END	12	56-5040	12	56-5040	12	56-5040
10	ASSEMBLY - CYLINDER HEAD, COMP	2	59-4020	2	59-4000	2	59-4169
11	BUSHING - VALVE GUIDE	A/R	59-4021	A/R	59-4021	A/R	59-4021
12	PLUG - 3/4 PIPE	6	59-4022	6	59-4022	6	59-4022
13	BOLT-7/16-14x2.32	10	59-4023				
13A	BOLT - ½ - 13 x 2.50			10	59-4025	10	59-4025
14	BOLT-7/16-14x3.94	10	59-4024				
14A	BOLT - ½ - 13 x 40			10	59-4026	10	59-4026
15	PLUG - - 11 0 D	4	59-4027	4	59-4027	4	59-4027
16	PLUG - 1½ CUP BRASS	4	59-4028	4	59-4028	4	59-4028
17	GASKET - CYL HEAD	2	59-4029	2	59-4001	2	59-4001
18	KEY - LOCK VALVE SPRING RETAINER	32	59-4030	32	59-4030	32	59-4030
19	SLEEVE - VALVE SPRING RETAINER	8	59-4031	8	59-4031	8	59-4031
20	RETAINER - INTAKE - VALVE SPRING	8	59-4032	8	59-4032	8	59-4032
20A	RETAINER - EXHAUST - VALVE SPRING		59-4033	8	59-4033	8	59-4033
21	SEAL - INTAKE - VALVE STEM	8	59-4034	8	59-4034	8	59-4034
21A	SEAL AUST-VALVE STEM	8	59-4035	8	59-4036	8	59-4036
22	SPRING-INTAKE	8	59-4015	8	59-4015	8	59-4026
22A	SPRING - EXHAUST	8	59-4038	8	59-4038	8	59-4204
23	VALVE - EXHAUST	8	59-4037	8	59-4037	8	59-4170
23A	VALVE-INTAKE	8	59-4013	8	59-4013	8	59-4171
24	INSERT VALVE SEAT EXHAUST	8	59-4039	8	59-4039		
25	PUSH ROD - VALVE	16	59-4040	16	59-4041	16	59-4041
26	TAPPET ASSEMBLY	16	59-4008	16	59-4008	16	59-4008
27	BOLT & WASHER - 5/16 - 18 x 1.40	16	59-4042	16	59-4042	16	59-4042
28	SEAT- ROCKER ARM FULCRUM	16	59-4043	16	59-4043	16	59-4043
29	ARM - VALVE ROCKER	16	59-4044	16	59-4044	16	59-4044
30	GUIDE - VALVE ROCKER ARM	8	59-4045	8	59-4045	8	59-4045

FORD Cylinder Head and Related Parts

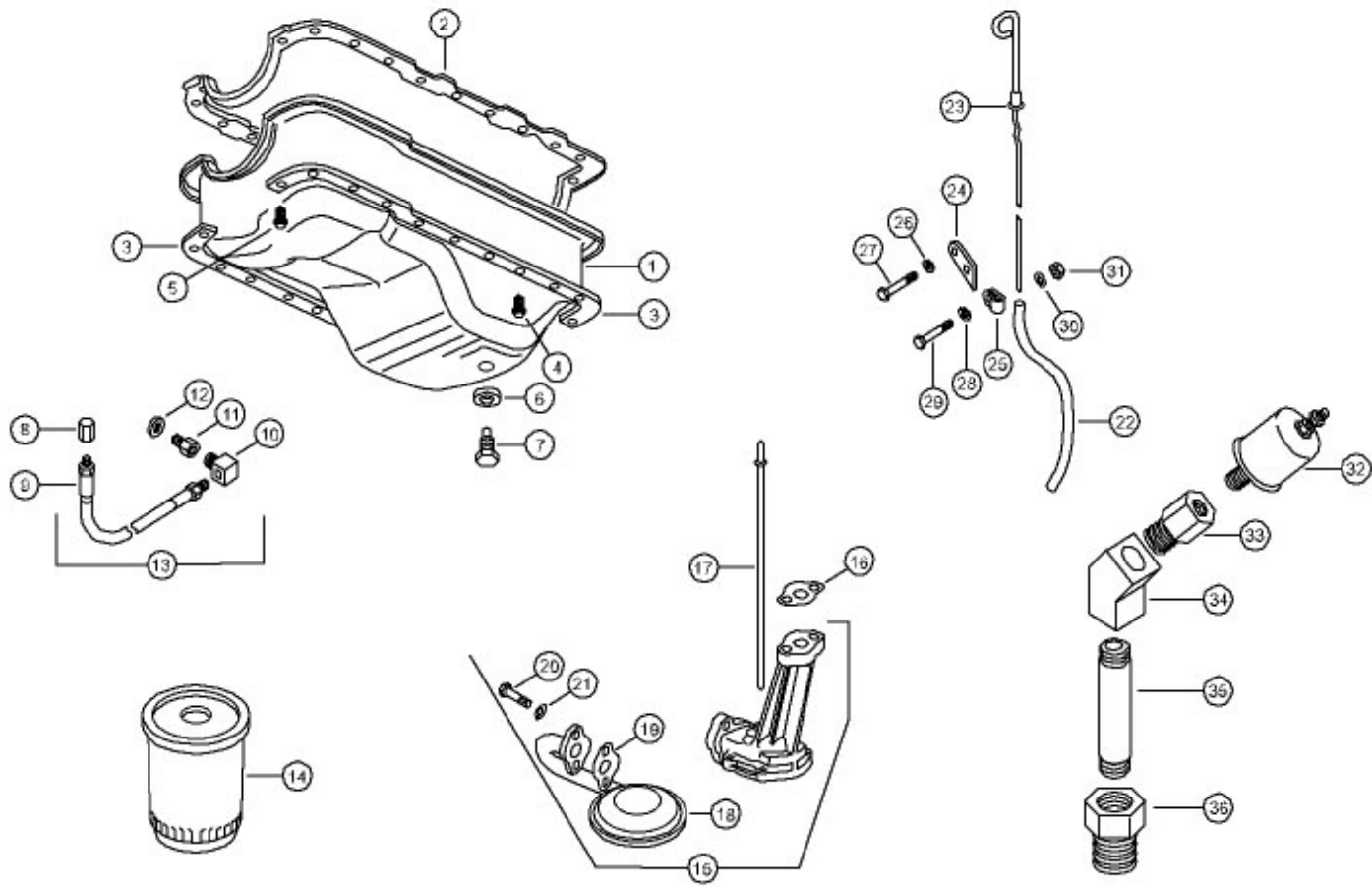


FORD - Oil Pan and Related

Ref	Description	Qty	All 302	Qty	All 351
1	OIL PAN	1	59-2049	1	59-2047
2	GASKET - OIL PAN	1	59-2030	1	59-2030
3	REINFORCEMENT RH	1	59-5141	1	59-5141
3A	REINFORCEMENT LH	1	59-5142	1	59-5142
4	BOLT - ¼ - 20 x 5/8	18	59-2053	18	59-2053
5	BOLT - 5/16 - 18 x 7/8	4	59-2054	4	59-2054
6	GASKET-OIL DRAIN PLUG	1	51-5002	1	51-5002
7	PLUG - ENGINE OIL DRAIN	1	59-2055	1	59-2055
8	CAP - OIL DRAIN	1	51-5001	1	51-5001
9	HOSE-OIL DRAIN	1	51-5003	1	51-5003
10	FITTING - OIL DRAIN	1	51-2003	1	51-2003
11	FITTING - OIL DRAIN	1	51-2002	1	51-2003
12	GASKET-OIL DRAIN	1	51-5002	1	51-5002
13	KIT-OIL DRAIN	1	51-2001	1	51-2001
14	FILTER - OIL	1	59-2024	1	59-2024
15	ASSEMBLY - OIL PUMP	1	59-2042	1	59-2042
16	GASKET - OIL PUMP	1	59-2057	1	59-2057
17	SHAFT - OIL PUMP	1	59-2058	1	59-2059
18	SCREEN - TUBE & COVER	1	59-2060	1	59-2061
19	GASKET - SCREEN COVER	1	59-2056	1	59-2056
20	BOLT - 5/16 - 18 x 3/4	1	56-5105	2	56-5105
21	WASHER - 5/16 LW.	1	56-5155	2	56-5155
22	TUBE-OIL INDICATOR	1	59-2038	1	59-2017
23	INDICATOR - OIL	1	59-2037	1	59-2016
24	BRACKET	1	98-2009	1	98-2009
25	CLAMP - ADEL	1	65-3001	1	65-3001
26	WASHER - 7/16 L.W.	1	56-5350	1	56-5350
27	BOLT - 7/16 - 14 x 3/4	1	56-5297	1	56-5297
28	WASHER - 3/8 F.W.	1	56-5296	1	56-5296
29	BOLT - 3/8 - 16 x 3/4	1	56-5205	1	56-5205
30	WASHER - 3/8 LW.	1	56-5295	1	56-5295
31	NUT - 3/8 - 16	1	56-5275	1	56-5275
32	SENDER - OIL PRESSURE	1	64-5002	1	64-5002
33	FITTING - 1/8-1/8	1	60-1005	1	60-1005
34	ELBOW	1	60-3001	1	60-3001
35	NIPPLE	1	60-3002	1	60-3002
36	BUSHING 1/4 - 1/8	1	60-1003	1	60-1003

s

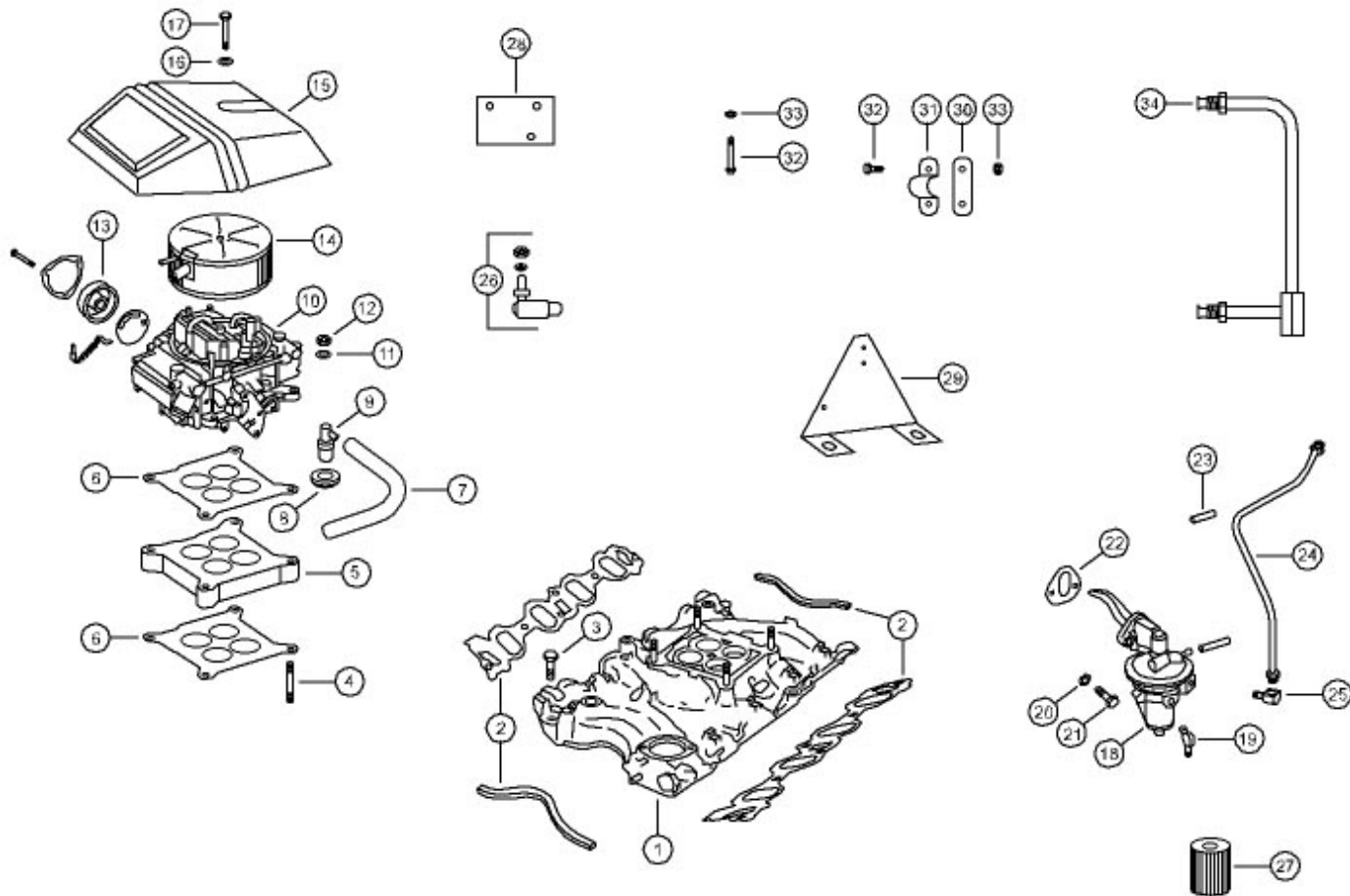
FORD Oil Pan and Related Parts



FORD - Fuel System and Related

Ref	Description	Qty	302-2	Qty	302-4	Qty	351	Qty	351 - HP
1	MANIFOLD - INTAKE	1	59-2051	1	59-2048	1	59-2045	1	59-2045
2	GASKET SET - INTAKE	1	59-2052	1	59-2052	1	59-2027	1	59-2027
3	BOLT-5/16-18x2	A/R	56-5115	1	56-5115	1	56-5115	1	56-5115
4	STUD - 5/16 - 18 - 24 x 2.47	4	59-4010	4	59-4010	4	59-4010	4	59-4010
5	PLATE - SPACER - CARB	1	59-4021	1	59-4006	1	59-4006	1	59-4006
6	GASKET-CARB	2	61-2014	2	61-2003	2	61-2003	2	61-2003
7	HOSE-PCV	1	61-2006	1	61-2006	1	61-2006	1	61-2006
8	GROMMET-PCV	1	61-2007	1	61-2007	1	61-2007	1	61-2007
9	PCV VALVE	1	50-5001	1	50-5001	1	50-5001	1	50-5001
10	CARBURETOR	1	61-2010	1	61-2008	1	61-2004	1	61-2017
11	WASHER - 5/16 SAE F.W.	4	56-5150	1	56-5150	1	56-5150	1	56-5150
12	NUT - 5/16 - 24 SAE	4	56-5145	1	56-5145	1	56-5145	1	56-5145
13	THERMOSTAT-CHOKE	1	61-5001	1	61-5001	1	61-5001	1	61-5001
14	FLAME ARRESTOR	1	52-5006	1	52-5006	1	52-5006	1	52-5006
15	COVER - FLAME ARRESTOR	1	98-5019	1	98-5019	1	98-5019	1	98-5019
16	WASHER - 1/4 SAE F.W.	1	56-5030	1	56-5030	1	56-5030	1	56-5030
17	BOLT - 1/4 - 20 x 2 1/2	1	56-5010	1	56-5010	1	56-5010	1	56-5010
18	PUMP-FUEL	1	59-2011	1	59-2011	1	59-2011	1	59-2011
19	FITTING	1	60-5006	1	60-5006	1	60-5006	1	60-5006
20	WASHER - 3/8 LW.	2	56-5295	2	56-5295	2	56-5295	2	56-5295
21	BOLT - 3/8- 16 x 1 1/4	2	56-5215	2	56-5215	2	56-5215	2	56-5215
22	GASKET- FUEL PUMP	1	55-1007	1	55-1007	1	55-1007	1	55-1007
23	TUBING - ¼ CLEAR - 25"	1	54-5002	1	54-5002	1	54-5002	1	54-5002
24	LINE - FUEL	1	98-2002	1	98-2002	1	98-2002	1	98-2023
25	FITTING	1	60-1008	1	60-1008	1	60-1008	1	60-1008
26	BALL JOINT	1	69-5001	1	69-5001	1	69-5001	1	69-5001
27	FILTER - FUEL PUMP	1	98-2021	1	98-2021	1	98-2021	1	98-2021
28	EXTENDER - BALL JOINT	1	98-2008	1	98-2008	1	98-2008	1	98-2008
29	BRACKET - THROTTLE	1	98-2003	1	98-2003	1	98-2003	1	98-2003
30	SHIM - THROTTLE BRKT	1	69-5004	1	69-5004	1	69-5004	1	69-5004
31	CLAMP - THROTTLE BRKT	1	69-5005	1	69-5005	1	69-5005	1	69-5005
32	SCREW - 10- 24 x 3/4	3	56-5910	3	56-5910	3	56-5910	3	56-5910
33	NUT - LOCK 10 - 24	3	56-5920	3	56-5920	3	56-5920	3	56-5920
34	LINE-FUEL 351 HP							1	78-1005

FORD Fuel System and Related Parts

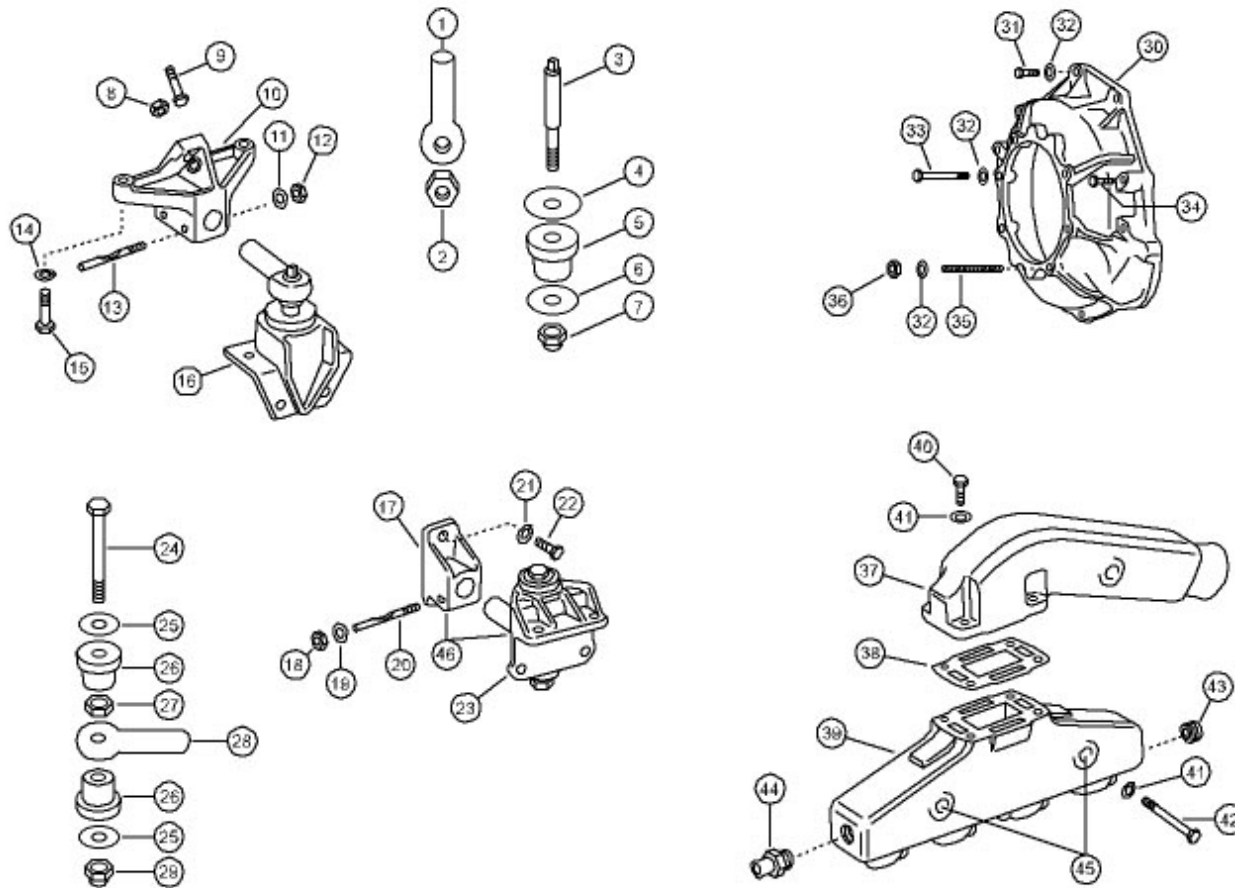


FORD Bell Housing, Manifolds, Mounts and Related

Ref	Description	Qty	All 302 & 351
1	TRUNION - FRONT	2	53-5021
2	NUT - JAM 7/8 - 14	2	56-5043
3	SCREW - MOUNT	2	98-5010
4	WASHER - 2 7/8 OD x 5/8 ID	2	56-5934
5	BUSHING	2	53-6005
6	WASHER - 5/8 F.W.	2	53-5396
7	NUT - - 1/2 NYLON LOCK NUT	2	56-5044
8	NUT-5/16-18	2	56-5135
9	BOLT - 5/16 - 18x 2	2	56-5155
10	MOUNT ENGINE - 351	2	53-2007
11	WASHER - PULL PIN	4	56-5296
12	NUT - 7/16 - 20	4	56-5358
13	PIN - PULL - 7/16-20 x 3 1/2	4	56-5357
14	WASHER - 7/16 LW	4	56-5350
15	BOLT - 7/16 - 14 x 2 (1 1/4)	4	56-5308
16	ASSEMBLY-STRINGER PAD	2	53-5000
17	SUPPORT-TRAN. TRUNION	2	53-5012
18	NUT - 7/16 - 20	2	56-5358
19	WASHER - PULL PIN	2	56-5296
20	PIN - PULL - 7/16 - 20 x 3 1/2	2	56-5357
21	WASHER - 7/16 - L.W.	4	56-5350
22	BOLT - 7/16 - 14 x 1 1/4	4	56-5305
23	STRINGER PAD TRANS.	2	53-5013
24	BOLT 5/8 - 6 1/2	2	56-5415
25	WASHER - 5/8 F.W.	4	56-5936
26	BUSHING	4	53-6004
27	NUT-JAM 5/8 - 11	2	56-5416
28	TRUNION - REAR	2	53-5014
29	NUT-LOCK-5/8 -11	2	56-5417
30	HOUSING - BELL	1	53-2012
31	BOLT - 7/16 - 14 x 1 1/4	A/R	56-5305
32	WASHER - 7/16 - L.W.	10	56-5350
33	BOLT-7/16-14x3 1/2	5	56-5315
34	BOLT - 7/16 - 14 x 2 1/2	3	56-5310
35	STUD - 7/16 - 14 x 4	2	56-5316

Ref	Description	Qty	All 302 & 351
36	NUT 7/16 - 14	2	56-5345
37	RISER - MANIFOLD	2	53-2009
38	GASKET - RISER	2	53-2010
39	MANIFOLD	2	53-2008
40	BOLT 3/8 - 16 X 1 1/4	4	56-5255
41	WASHER 3/8 L.W.	12	56-5295
42	BOLT 3/8 - 16 X 4 1/4 (5)	8	56-5245
43	PLUG 3/4	2	60-5011
44	FITTING 3/4 NYLON	2	60-5008
45	PLUG BRASS 7/8	2	58-2002
46	TRANS MT. COMPLETE	2	53-5011

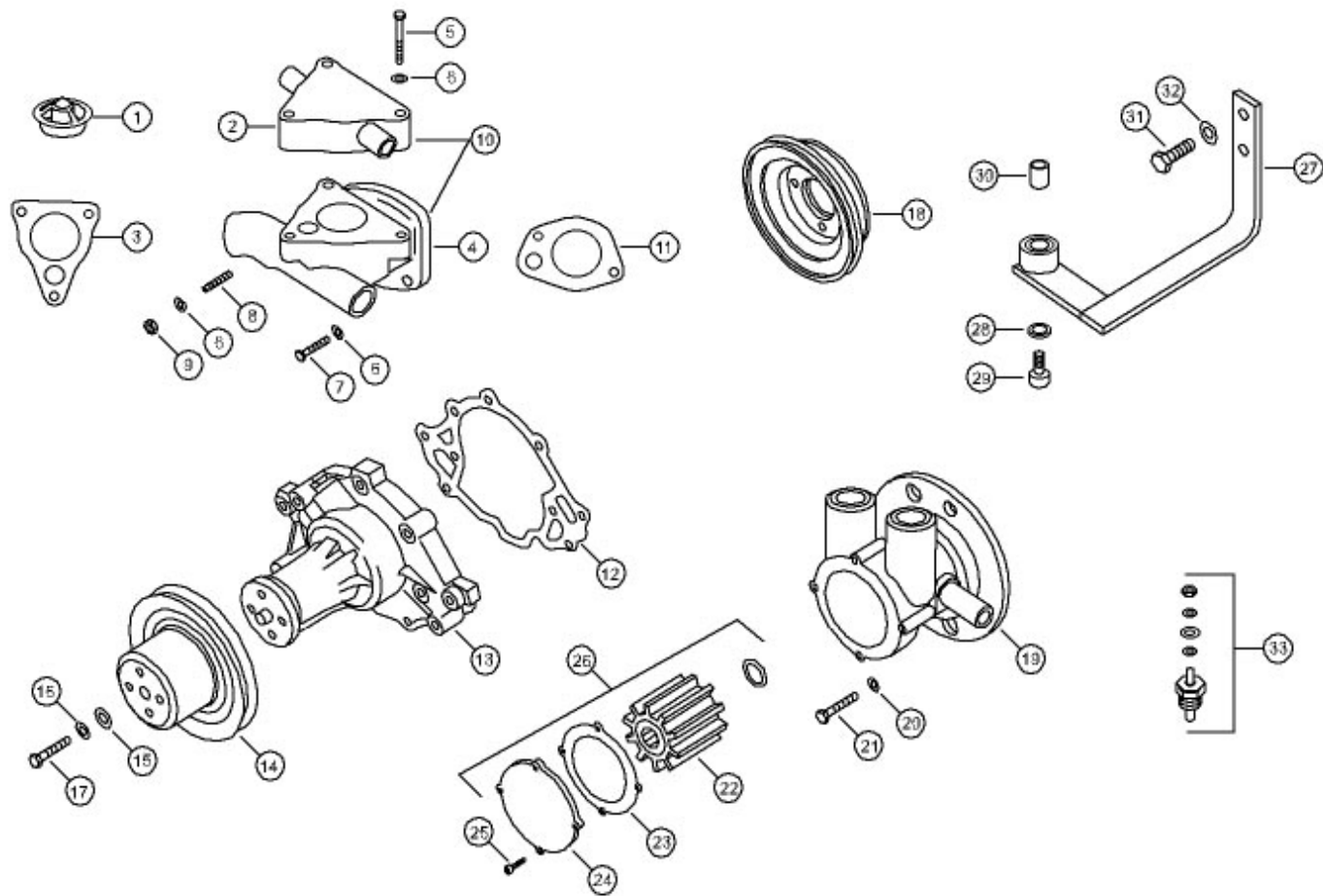
FORD Bellhousing, Manifold, Mounts and Related Parts



FORD - Water Pump and Related

Ref	Description	Qty	All 302		All 351
1	THERMOSTAT - 140 DEG	1	98-5005	1	98-5005
2	THERMOSTAT HOUSING - TOP	1	53-5022	1	53-5022
3	GASKET - THERMOSTAT HOUSING	1	98-5006	1	98-5006
4	THERMOSTAT HOUSING - BOTTOM	1	53-2011	1	53-2011
5	BOLT-5/16-18x2	3	56-5115	3	56-5115
6	WASHER - 5/16 L.W.	5	56-5155	5	56-5155
7	BOLT - 5/16 - 18 x 1	1	56-5130	1	56-5130
8	STUD-5/16	1	56-5905	1	56-5905
9	NUT-5/16-18	1	56-5135	1	56-5135
10	THERMOSTAT HOUSING - COMPLETE	1	53-2013	1	53-2013
11	GASKET-THERMOSTAT HOUSING	1	59-2022	1	59-2022
12	GASKET - WATER PUMP	1	59-2029	1	59-2029
13	WATER PUMP	1	59-2026	1	59-2026
14	PULLEY-WATER PUMP	1	59-2019	1	59-2019
14A	PULLEY - WATER PUMP - CHROME	1	59-5001	1	59-5001
15	WASHER - 5/16 SAE F.W.	4	56-5150	4	56-5150
16	WASHER-5/16L.W.	4	56-5155	4	56-5155
17	BOLT-5/16-24x 3/4	4	56-5101	4	56-5101
18	PULLEY-CRANK	1	59-2018	1	59-2018
18A	PULLEY - CRANK - CHROME --	1	59-6001	1	59-6001
19	PUMP-RAW WATER	1	68-5011	1	68-5001
20	WASHER - 3/8 L.W.	3	56-5295	3	56-5295
21	BOLT-3/8 -16x1 1/4 SHCS	3	56-5255	3	56-5255
22	IMPELLER	1	68-5014	1	68-5007
23	GASKET	1	68-5008	1	68-5008
24	COVER	1	68-5013	1	68-5013
25	SCREW	4	68-5005	4	68-5005
26	KIT-REPAIR	1	68-5012	1	49-5001
27	BRACKET - RAW WATER PUMP	1	98-2001	1	98-2001
28	BOLT-5/16-18x 3/4 SHCS	1	56-5125	1	56-5125
29	WASHER - 5/16 LW.	1	56-5155	1	56-5155
30	BUSHING - RUBBER	1	98-5053	1	98-5053
31	BOLT - 7/16 - 14 x 1	2	56-5300	2	56-5300
32	WASHER - 7/16 L.W.	2	56-5350	2	56-5350
33	SENDER-TEMP	1	64-5003	1	64-5001

FORD Water Pump and Related Parts



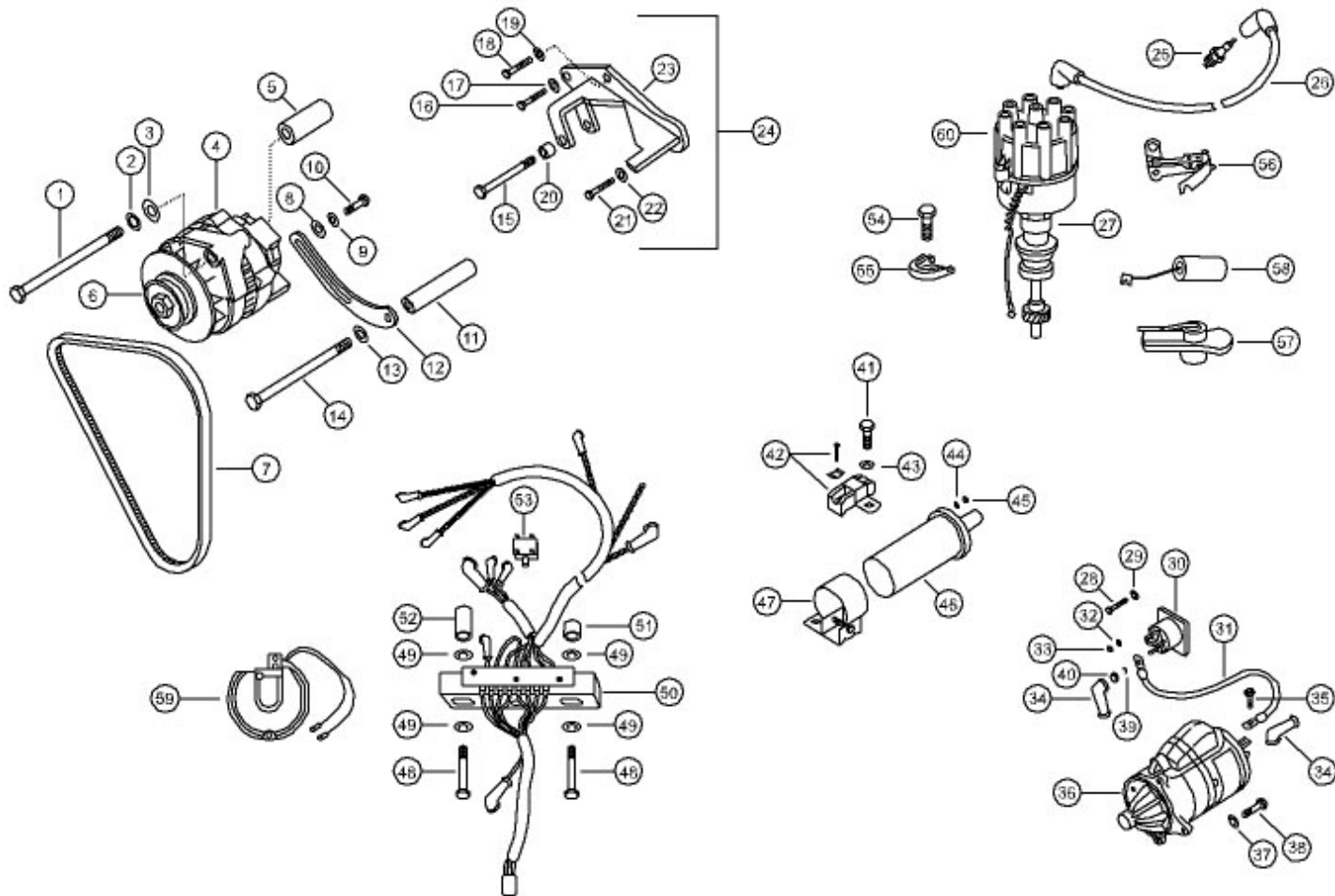
FORD - Electrical System and Related

Ref	Description	Qty	All 302	Qty	All 351
1	BOLT - 7/16 - 14 x 5 3/4	1	56-5320	1	56-5320
2	WASHER - 7/16 L.W.	1	56-5350	1	56-5350
3	WASHER - 7/16 F.W.	1	56-5355	1	56-5355
4	ALTERNATOR	1	75-5011	1	75-5011
5	SPACER - 7/16 x 2 3/4	1	98-2015	1	98-2015
6	PULLEY - ALTERNATOR	1	75-5012	1	75-5012
6A	PULLEY - ALTERNATOR	1	75-5013	1	75-5013
7	BELT ALTERNATOR	1	72-5018	1	72-5015
8	WASHER - 3/8 F.W.	1	56-5296	1	56-5296
9	WASHER -3/8 LW.	1	56-5295	1	56-5295
10	BOLT-3/8-16x1	1	56-5110	1	56-5110
11	SPACER-3/8x3 3/4	1	98-1013	1	98-1013
12	BRACKET	1	98-2004	1	98-2004
13	WASHER -3/8 LW.	1	56-5295	1	56-5295
14	BOLT - 3/8 - 16 x 5 1/2	1	56-5246	1	56-5246
15	BOLT-3/8 -16x3 1/2	1	56-5240	1	56-5240
16	BOLT-7/16-14x1 1/4	1	56-5305	1	56-5305
17	WASHER - 7/16 L.W.	1	56-5350	1	56-5350
18	BOLT-7/16-16x1	1	56-5210	1	56-5210
19	WASHER -3/8 L.W.	1	56-5295	1	56-5295
20	BUSHING	1	98-2019	1	98-2019
21	BOLT-3/8 -16x3/4	1	56-5205	1	56-5205
22	WASHER - 3/8 L.W.	1	56-5295	1	56-5295
23	BRACKET - ALTERNATOR	1	53-2017	1	53-2017
24	KIT - BRACKET - ALTERNATOR	1	49-2006	1	49-2006
25	SPARK PLUG	8	98-5026	8	98-5026
NS	Spark Plug 351 HP	8			98-5073
26	WIRES - PLUG SET	1	75-5007	1	75-5007
27	DISTRIBUTOR-STDIGN	1	75-2008	1	75-2006
27A	DISTRIBUTOR-STD IGN-R/H	1	75-2009	1	75-2003
27B	DISTRIBUTOR - ELEC IGN	1	75-2010	1	75-2002
27C	DISTRIBUTOR-ELEC IGN-R/H	1	75-2011	1	75-2007
28	BOLT-5/16-18x3/4	1	56-5105	1	56-5105
29	WASHER - 5/16 LW.	1	56-5155	1	56-5155
30	SOLENOID-STD IGN	1	75-5005	1	75-5005
30A	SOLENOID - ELEC IGN	1	75-5001	1	75-5001
31	CABLE - STARTER	1	80-5009	1	80-5009
32	WASHER-#10 STAR	1	56-5915	1	56-5915
33	NUT-10-32	1	56-5925	1	56-5925

Ref	Description	Qty	All 302	Qty	All 351
34	BOOT-WIRE	2	79-5003	2	79-5003
35	BOLT - SELF TAPPING	1	59-2015	1	59-2015
36	STARTER	1	59-2007	1	59-2007
36A	STARTER - R/H	1	59-2036	1	59-2036
37	WASHER	2	56-5295	2	56-5295
38	BOLT-3/8 -16x1 1/4	2	56-5215	2	56-5215
39	WASHER - 5/16 L.W.	1	56-5155	1	56-5155
40	NUT-5/16-18	1	56-5135	1	56-5135
41	BOLT - 7/16 - 14 x 1	1	56-5300	1	56-5300
42	RESISTOR - BALLAST	1	62-5001	1	62-5001
43	WASHER - 7/16 L.W.	1	56-5350	1	56-5350
44	WASHER - #10 STAR	1	56-5915	1	56-5915
45	NUT-10-32	1	56-5925	1	56-5925
46	COIL - IGNITION	1	61-1001	1	61-1001
47	BRACKET - COIL	1	59-4202	1	59-4202
48	BOLT - 7/16 - 14 x 3 1/2	2	56-5315	2	56-5315
49	WASHER - 7/16 F.W.	4	56-5355	4	56-5355
50	HARNESS - WIRE - STD IGN	1	80-5006	1	80-5006
50A	HARNESS - WIRE - STAGE 2	1	80-5003	1	80-5003
50B	HARNESS-WIRE-1991	1	80-2001	1	80-2001
51	SPACER - 7/16 x 1	1	98-2020	1	98-2020
52	SPACER - 7/16 x 2	1	98-2005	1	98-2005
53	BREAKER-CIRCUIT 35A	1	80-5005	1	80-5005
53A	BREAKER - CIRCUIT 35A - STAGE 2	1	80-5010	1	80-5010
53B	BREAKER-CIRCUIT40A-1991	1	80-5011	1	80-5011
53C	BREAKER - CIRCUIT 50A	1	805011	1	805011
54	BOLT & WASHER - 5/16 - 18 x .88	1	59-4161	1	59-4161
55	CLAMP - HOLD DOWN	1	59-4162	1	59-4162
56	POINTS - DISTRIBUTOR - STD IGN	1	75-5016	1	75-5016
57	ROTOR - DISTRIBUTOR - ALL -87 UP	1	75-5018	1	75-5018
57A	ROTOR - DISTRIBUTOR - ALL -86 OLDER	1	75-5019	1	75-5019
58	CONDENSER - DISTRIBUTOR - STD IGN	1	75-5017	1	75-5017
59	MODULE - ELECT IGN - ALL - 87 UP	1	75-2004	1	75-2004
59A	MODULE - ELECT IGN - 86 OLDER	1	75-2005	1	75-2005
60	CAP-DISTRIBUTOR-ALL-87UP	1	75-5020	1	75-5020
60A	CAP - DISTRIBUTOR - ALL -86 OLDER	1	75-5021	1	75-5021

Not Shown					
	COVER - NEW STYLE STARTER	1	59-2008	1	59-2008
	NUT/WASHER - NEW STYLE STARTER	1	59-2009	1	59-2009
	JUMPER WIRE	1	80-2005	1	80-2005

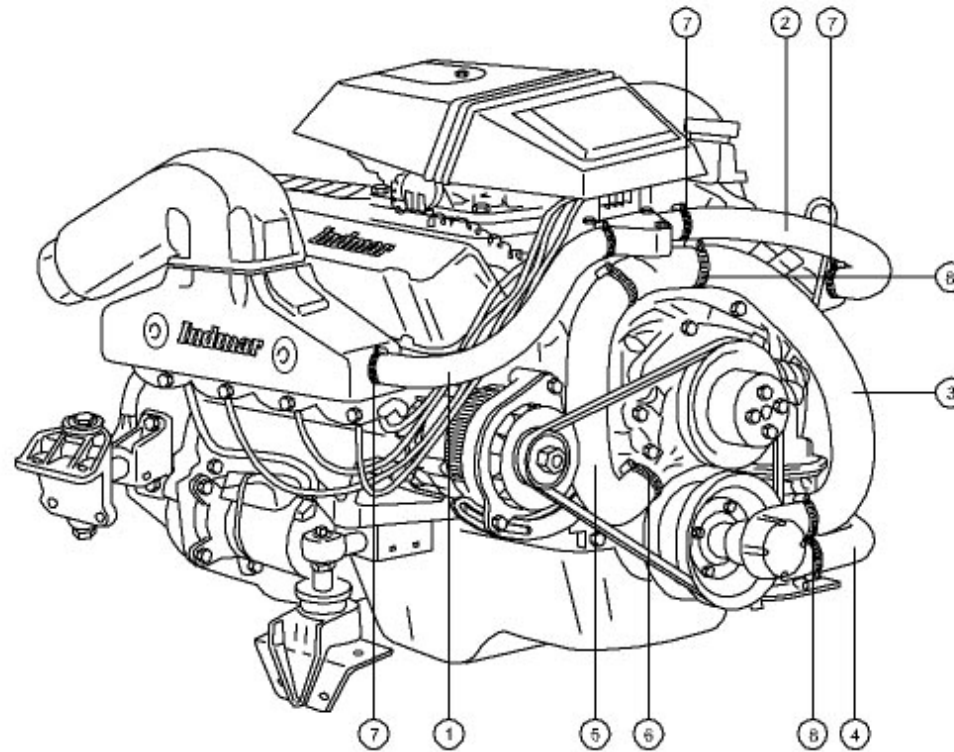
FORD Electrical System and Related Parts



FORD - Water Hose and Clamps

Ref	Description	Qty	All 302 and 351
1	HOSE - 1"	1	98-5020
2	HOSE- 1"	1	98-5031
3	HOSE - 1 1/4"	1	98-5022
4	HOSE - 1 1/4"	1	98-5023
5	HOSE - 1 3/4" - FORMED	1	84-2001
6	CLAMP - #28	2	73-5009
7	CLAMP - #16	4	73-5006
8	CLAMP - #20	5	73-5007

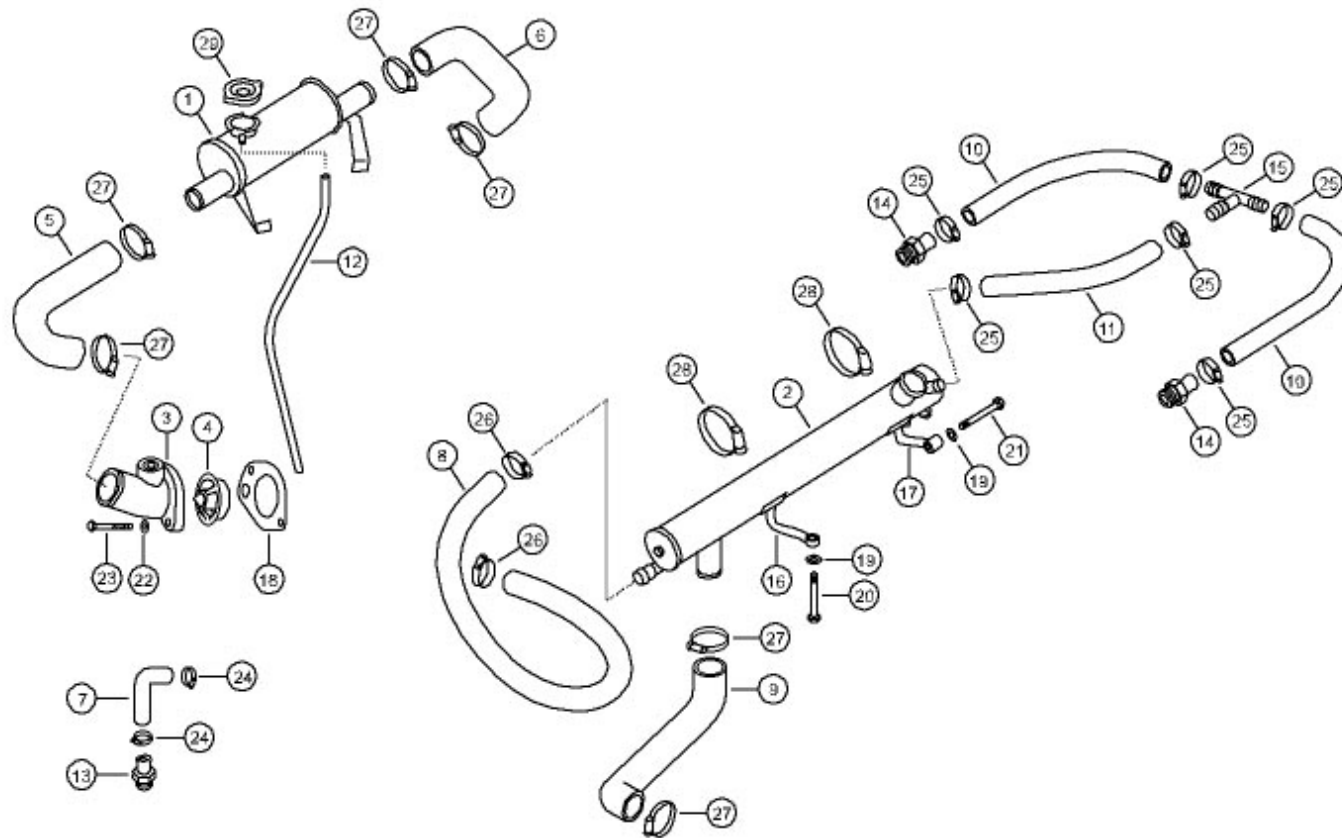
FORD Water Hose and Clamps



FORD - Fresh Water Cooling - 1/2 System

Ref	Description	Qty	All 302 and 351 Models
1	TANK-SURGE -LESS BRACKET	1	86-5010
NS	BRACKET - SURGE TANK (above)	1	86-5035
2	EXCHANGER - HEAT Less Bracket	1	86-5011
NS	BRACKET- HEAT EXCHANGER(above)	2	86-5032
3	HOUSING - THERMOSTAT	1	59-2041
4	THERMOSTAT - 160 Deg	1	98-5009
5	HOSE - FORMED - SMALL	1	84-5012
6	HOSE - FORMED - LARGE	1	84-5013
7	HOSE- 5/8 x 5"	1	99-5030
8	HOSE - 1 1/4 X 33"	1	98-5040
9	HOSE- 1 3/4 x 23"	1	98-5041
10	HOSE- 1 x 8"	2	98-5038
11	HOSE- 1 X 30"	1	98-5039
12	TUBING-CLEAR- 1/4	1	98-5033
13	FITTING- 3/8 X 5/8	1	60-5020
14	FITTING - 3/4 NYLON	2	60-5008
18	GASKET - THERMOSTAT	1	59-2022
19	WASHER - 3/8 LW.	4	56-5295
20	BOLT- 3/8 - 16 x 3 1/4	1	56-5236
21	BOLT - 3/8 - 16 x 4 1/2	1	56-5946
22	WASHER - 5/16 LW.	2	56-5155
23	BOLT-5/16 - 18 X 1	2	56-5110
24	CLAMP - #8	2	73-5004
25	CLAMP - #16	6	73-5006
26	CLAMP - #20	2	73-5007
27	CLAMP - #28	6	73-5009
28	CLAMP - #56	2	73-5005
29	CAP - SURGE TANK	1	86-5021

FORD Fresh Water Cooling 1/2 System



FORD - Transmission and Related

Ref	Description	Qty	All 302 and 351 Models
1	TRANSMISSION - 71c - 1 - 1	1	08-5005
2	TRANSMISSION - 71c - 1.5- 1	1	08-5006
3	COUPLER-4x1 1/4	1	88-5017
3	COUPLER - 4 x 1	1	88-5020
4	COOLER-1 1/4 x 5	1	86-5001
4A	COOLER-1 1/4 x 9	1	86-5002
5	HOSE - 14"- TRANSMISSION	A/R	98-2006
5A	HOSE - 20"- TRANSMISSION	A/R	98-2007
5B	HOSE - 30" - TRANSMISSION	A/R	98-2017
5C	HOSE - 33" - TRANSMISSION	A/R	98-2018
6	FITTINGS - TRANSMISSION	A/R	89-5002
7	CLAMP - COOLER - PART A	1	88-5023
8	CLAMP - COOLER - PART B	1	88-5024
9	BOLT-1/4-20 x 1	1	56-5006
10	WASHER - 1/4 LW.	1	56-5035
11	WASHER - 1/4 SAE F.W.	1	56-5030
12	NUT-1/4 -20-LOCKNUT	1	56-5042
13	WASHER - 7/16 L.W.	1	56-5350
14	BOLT - 7/16 - 14 x 2 1/2	1	56-5310
15	BRACKET - CABLE CLIP	1	69-5006
16	CLIP-CABLE	1	69-5002
17	SCREW-10-24 x 3/4	2	56-5910
18	NUT-#10-LOCKNUT	2	56-5920
19	WASHER - 7/16 L.W.	1	56-5350
20	BOLT - 7/16 - 14 x 3 1/2	1	56-5315
21	PIVOT - TRANSMISSION	1	69-5007
22	PIN - COTTER - 3/32 x 1/2	1	56-5941
23	SWIVEL-TRANSMISSION LINE	A/R	89-5004

FORD Transmission and Related Parts

