

Bake's LED Tower Lights

IMPORTANT INFORMATION:

Press the blue button on the back of the light to switch between three brightness levels (High > Medium > Low.)

Hold the blue button down to turn the light off. When turned back on, it will remember the brightness level setting.

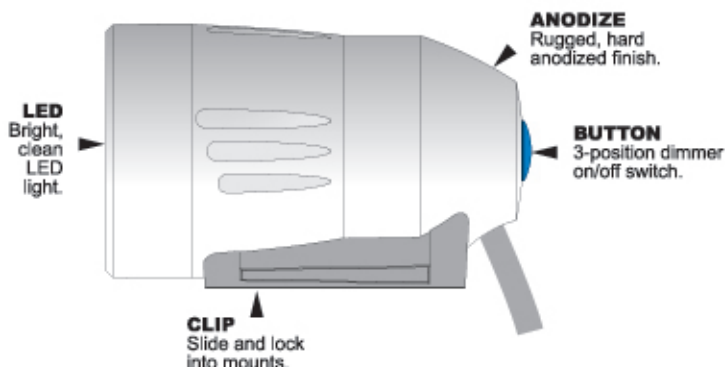
Vehicle Mounting Overview:

Trail Tech lights can be mounted to vehicles on the frame, handlebars, body or custom positioned. Regardless of location, installation/wiring is similar.

If there is enough power available, Trail Tech lights can be run in addition to stock lights. Some vehicles require HID lights to run on a separate circuit, because enough power is not produced to run all the lights simultaneously.

Trail Tech LED lights on run on 12V DC electrical power. Trail Tech lights also have a polarity requirement; the red lead must go to the positive(+) battery terminal or lead, and the black lead must go to the negative(-) battery terminal or ground. Backwards wiring will not harm the light, but will cause it to not turn on.

If your vehicle does not have DC power (no battery=no DC), Trail Tech may be able to help convert your electrical system to DC. Contact your local Trail Tech dealer for details.



SPECIFICATIONS:

• Brightness Modes:	Button Selectable: High > Medium > Low
• Power Draw:	12W / 6W / 3W
• Run Time (6600mAh):	6h / 12h / 24h
• Lumens:	800 lm
• Housing Material:	Rugged Billet Aluminum
• Size:	46x82mm (1.8x3.2")
• Weight:	167g (5.9 oz.)
• Front Lens:	Hardened Glass
• Sport Protection:	Rubberized Vibration Isolation
• Beam Color:	6300K
• Beam Angle:	15°
• Power Requirement:	12V DC, Polarity Protected
• Lifespan:	5 Years
• Warranty:	1 Year