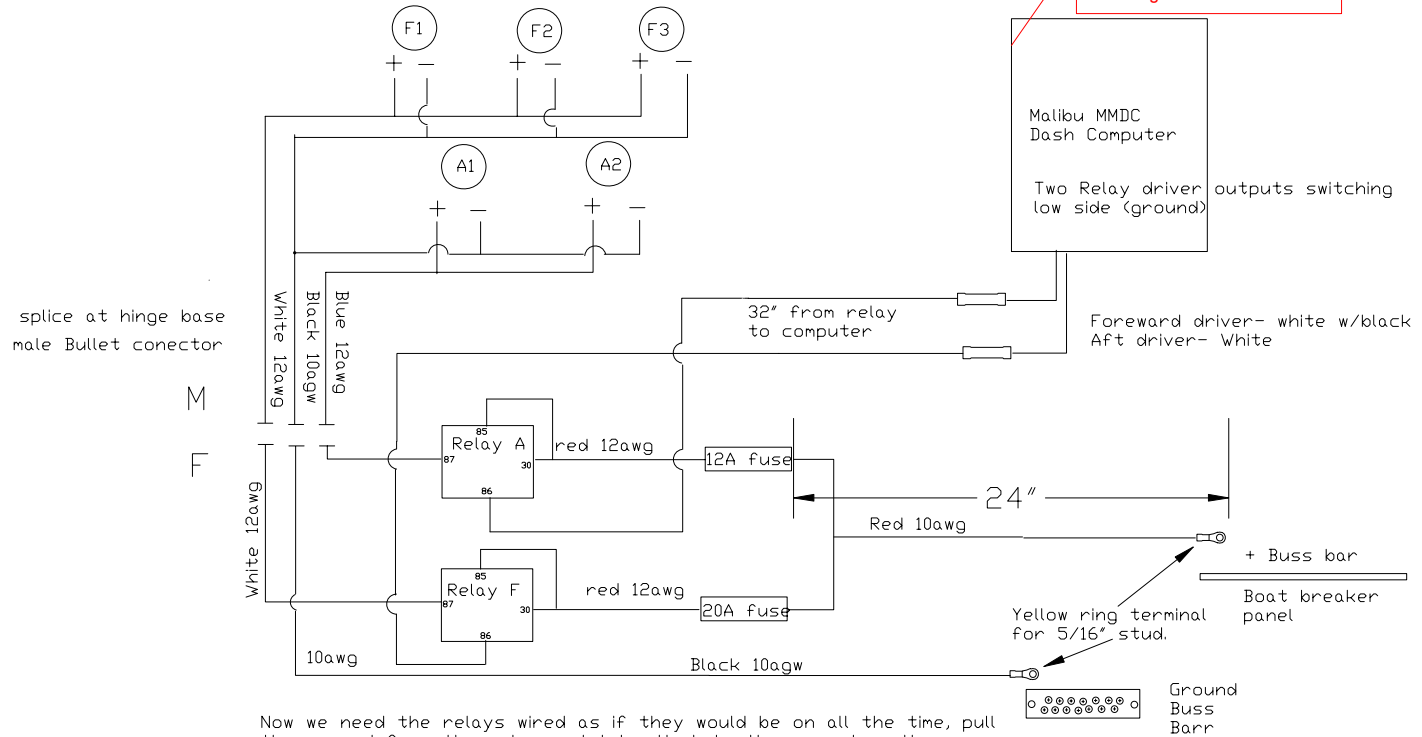


2008

30' total circuit, 15' each leg (approx) 23 amp total load @ 12v = 10 AWG wire for 6% voltage drop.



Now we need the relays wired as if they would be on all the time, pull the ground from the relay and take that to the computer, the computer will provide ground for the relay to turn the lights on.

Tower lights 2008  
Malibu Boats  
Drawing by:  
Bryan Munday.  
7/25/07