

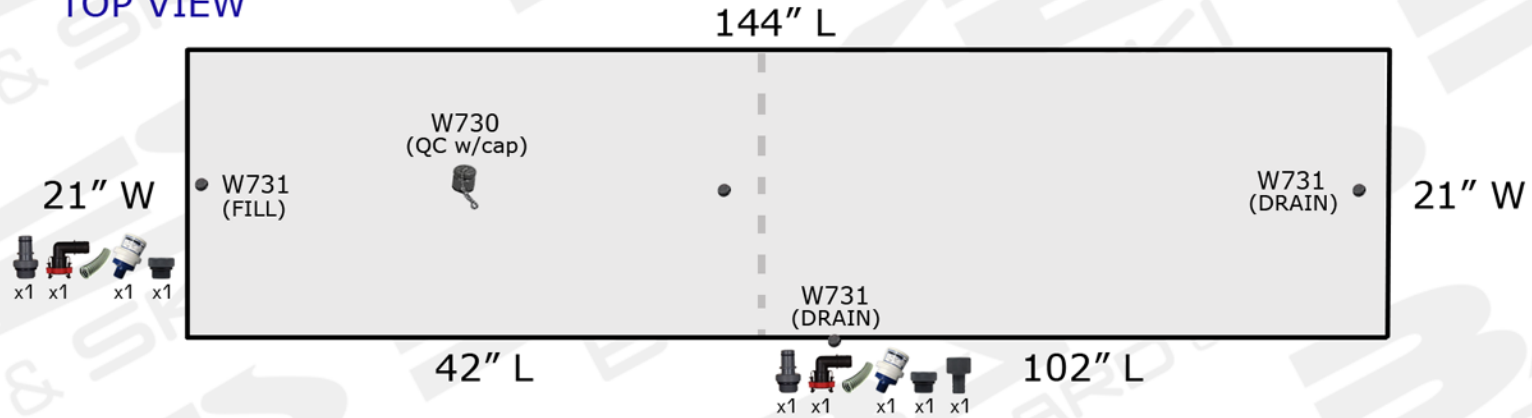
2009 Malibu Wakesetter 23/247
(Mid-Port Storage Divider Removed)
Custom Surf Sac

KEY:



← TRANSOM | BOW →

TOP VIEW



SIDE VIEW

